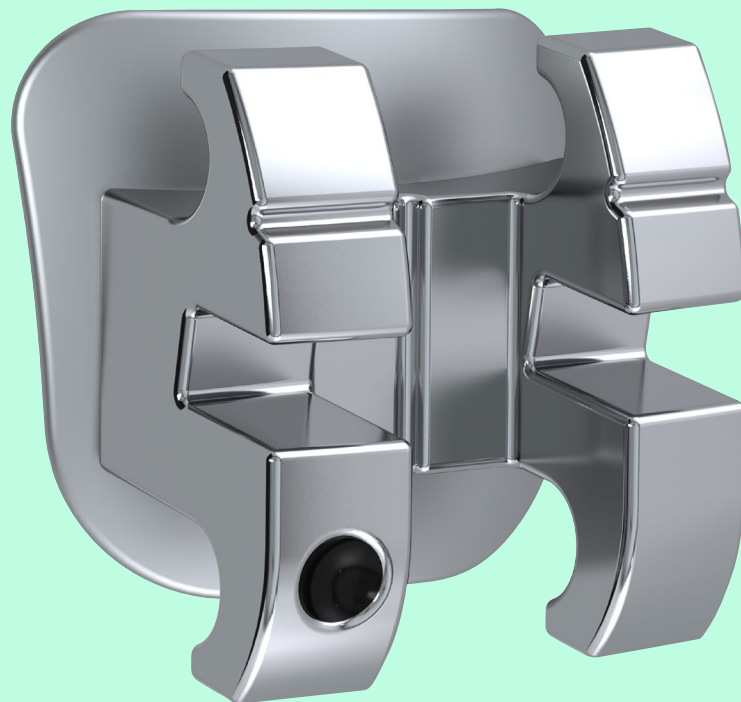




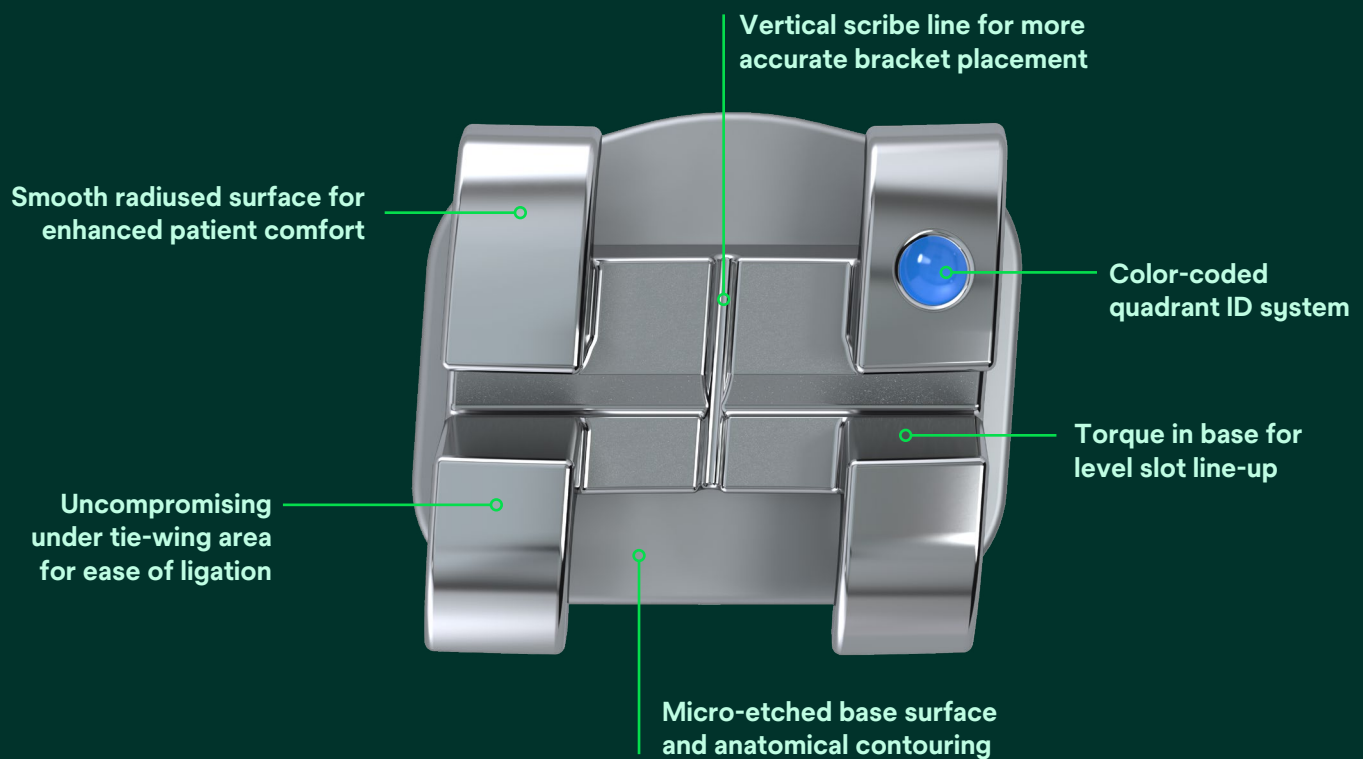
# Proven bracket design for consistency and reliability

3M™ Victory Series™ Low Profile Brackets



# A treatment choice you and your patients will appreciate

A beautiful smile is the ultimate goal, but a positive patient experience is just as crucial for successful treatment. Victory Series™ Low Profile Brackets are designed with this in mind. They offer a proven treatment design along with a low profile and smooth, curved features. These brackets are the perfect choice to help ensure both you and your patients have a comfortable and effective treatment journey.



## Efficient and effective treatment for any case requirement

With 3M™ MBT™ Versatile+ Appliance System, Victory Series Low Profile Brackets give you the power and versatility needed to manage the unique challenges of each new case, ensuring consistent and optimal patient outcomes.

# Features you can rely on

With the Victory Series™ Low Profile Bracket, the mesial-distal dimension is not compromised even though the bracket has a low profile. You maintain the rotational control you need to get the results you desire. Your patients will appreciate the comfort.

A unique rhomboid design with a flatter, compounded radius accommodates naturally occurring variation in tooth surfaces. This design assures three-point contact for increased tooth adaptation. Positioning is made easier and more accurate because their shape follows the natural vertical line of the tooth.



- Ample under tie-wing area for easy ligation and double ligation



- Low profile reduced occlusal interference without performance sacrifices



- Contoured micro-etched base
- Rhomboid base design for increased tooth adaption
- Two-degree distal offset in lower cuspid slots to reduce mesial rotation

## Available with 3M™ APC™ Flash-Free Adhesive

Victory Series Low Profile Brackets also offer the superior efficiency of revolutionary APC Flash-Free Adhesive. That means less chair time and a better overall bonding experience for your patient.

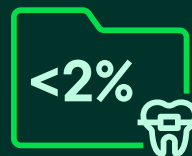


Eliminates the flash removal step at bonding



Significantly reduces bonding time\*

\*data on file



Ensures less than 2% bracket bond failure rate within 90 days of bonding

# Enhance your system for maximum efficiency and patient comfort



## 3M™ Clarity™ Advanced Ceramic Brackets

Small, low profile esthetic bracket enhances patient comfort without compromising strength. Translucency blends with tooth color, while resisting staining. Combine with 3M™ APC™ Flash-Free Adhesive for a complete system designed for optimal efficiency.



## 3M™ Victory Series™ Superior Fit Buccal Tubes

Offer excellent handling characteristics, optimized tube-to-tooth fit and a strong reliable bond. Combine with APC Flash-Free Adhesive for a complete system designed for optimal efficiency, control and versatility.



## 3M™ AlastiK™ Easy-to-Tie Ligatures

Angled to make ligature placement easier for you and your patients. Choose a wide variety of colors to match patient preference.



## 3M™ Forsus™ Class II Correctors

An “off-the-shelf” aesthetic treatment solution that can be added at any time during treatment, providing efficient and proven treatment. Forsus Correctors can be used with or without molar bands, making them a versatile and convenient choice.

**For more information contact your Solventum Representative today**



**Solventum Dental Solutions**  
**US** 1-800-423-4588  
**CAN** 1-800-443-1661  
Solventum.com

3M Health Care is now Solventum

© Solventum 2026. Solventum, the S logo, APC, AlastiK, MBT and Victory Series are trademarks of Solventum or its affiliates. 3M and the 3M logo are trademarks of 3M. Other trademarks are the property of their respective owners. 70-2013-7449-6