

## Technical information sheet

### Solventum™ Microfluidic Diagnostic Tape 9965



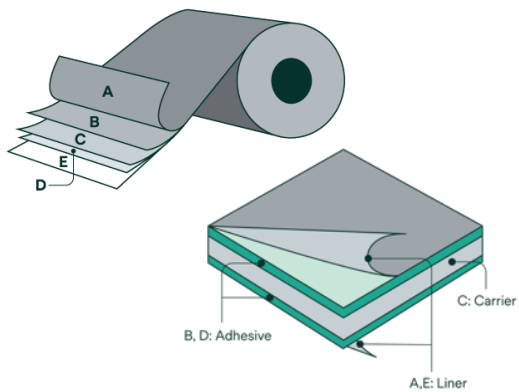
#### Product description

Microfluidic Diagnostic Tape 9965, consists of a white polyester film coated on both sides with a pressure sensitive acrylate adhesive. The tape is supplied between two clear, silicone coated polyester release liners. The product is designed for use in diagnostic medical devices such as test strips and lab-on-a-chip devices.

#### Features and benefits

- Hydrophobic adhesive resists clouding
- Adheres to a variety of substrates
- White polyester carrier
- Double sided adhesive coating
- Non-hemolytic
- Non-toxic to mammalian cells
- Low extractables
- Designed for lab-on-a-chip applications

**Composition:** Listed in same order as construction



<b>A – Release liner</b>	2 mil (51 um) Clear silicone coated polyester release liner
<b>B – Adhesive</b>	0.7 mil (18 um) Acrylate adhesive
<b>C – Carrier</b>	2 mil (51 um) White polyester film
<b>D – Adhesive</b>	0.7 mil (18 um) Acrylate adhesive
<b>E – Release liner</b>	2 mil (51 um) Clear silicone coated polyester release liner

#### Roll description

<b>Roll length</b>	Maximum 350 yd (320 m) ± 2%
<b>Roll width</b>	Maximum 48 in (122 cm) ± 0.06 in (1.52 mm)
<b>Splices per roll</b>	Maximum 3 per 350 yd (320 m)

Note: Default 6 in (152 mm) plastic core

## Adhesion & liner release

<b>Adhesion to steel, 180° peel*</b>	21.1 oz/in (2.3 N/cm)
<b>Adhesion to polyester, 180° peel*</b>	34.1 oz/in (3.7 N/cm)
<b>Adhesion to polycarbonate, 180° peel*</b>	34.9 oz/in (3.8 N/cm)
<b>Adhesion to acrylic, 180° peel*</b>	38.1 oz/in (4.2 N/cm)
<b>Adhesion to polypropylene, 180° peel*</b>	18.9 oz/in (2.1 N/cm)
<b>Liner release moderate side, 180° peel</b>	47.9 gm/in (0.2 N/cm)
<b>Liner release easy side, 180° peel</b>	8.6 gm/in (33 mN/cm)

Represents typical value. \*Adhesion tested after 5-minute dwell time.

**Biocompatibility testing:** The adhesive used in product 9965, in conjunction with a similar product with a different backing, has been subjected to the following safety evaluations.

<b>Study type</b>	<b>Test method</b>	<b>Standard</b>	<b>GLP</b>	<b>Result</b>
In vitro cytotoxicity	Cell lysis & cytotoxicity	ISO 10993-5: ≤2	Yes	Reactivity grade: 0
MEM elution	Cell lysis & cytotoxicity	ISO 10993-5: ≤2	Yes	Reactivity grade: 0
Hemolytic Index	Interaction with blood	ISO 10993-4: <2%	Yes	Non-Hemolytic (index: 1.2%)
	Test article extract	ISO 10993-4: <2%	Yes	Non-Hemolytic (index: 0.0%)

## Recommended storage conditions & shelf life

Product as supplied in original packaging will maintain certified properties for a period of two years from date of manufacture when stored at room temperature 68–77 °F (20–25 °C).

**Product and safety information:** User is solely responsible for determining the suitability of Solventum samples and products for the intended use including any necessary safety or toxicity assessment. Solventum will provide Material Safety Data Sheets or equivalent and summary results of biocompatibility testing upon request. In every case before using any product in full scale production users should conduct their own tests to determine to their own satisfaction whether the product is of acceptable quality and is suitable for their particular purposes under their own operating conditions.

**Notice:** Nothing contained herein shall be construed to imply the nonexistence of any relevant patents or to constitute a permission, inducement or recommendations to practice any invention covered by any patent, without authority from the owners of this patent.

#### **Warranty information**

All statements, technical information and recommendations herein are based on tests Solventum believes to be reliable, but the accuracy or completeness thereof is not guaranteed. Solventum warrants only that products will meet Solventum's specifications at the time of shipment to the customer. Solventum does not offer any other warranty and does not warrant the performance, safety or such other characteristics of products in combination with other materials. Solventum specifically **does not** warrant products for any intended or unintended uses (whether or not foreseeable); for compatibility or suitability with other components or compatibility with any methods of manufacture or conversion. The foregoing warranty is made in lieu of all other warranties, expressed or implied, including the implied warranties of merchantability, fitness for a particular purpose and freedom from non-infringement.

**Limitation of remedies:** If products are proven not to meet Solventum's specifications, the sole and exclusive remedy available and Solventum's only obligation shall be, at Solventum's option, to replace such quantity of products which are proven out of specification or to refund the purchase price paid for products.

**Limitations of liabilities:** The remedies provided herein are exclusive remedies against Solventum for any alleged or actual nonconformance to specifications or defect or other failure in products or for Solventum's performance of its supply obligations. Under no circumstances is Solventum liable for any direct, indirect, incidental, special or consequential damages (including lost profits) in any way related to the product under any theory of law including, but not limited to, negligence and strict liability.

#### **Ordering information**

Call us at Customer Service to place an order: 800-742-1994 (U.S.).

Visit our website: [go.Solventum.com/MedTechOEM](https://go.Solventum.com/MedTechOEM) for product and services information, news about conferences we will be attending, new product highlights or to make a direct inquiry.

To have a sales representative contact you, to request samples or clinical and safety summaries, please contact us at Solventum Helpline 800-742-1994 (U.S.) or for international inquiries, please contact your local country representative.



#### **Solventum MedTech OEM**

**Phone** 1-800-742-1994

**Web** [go.Solventum.com/MedTechOEM](https://go.Solventum.com/MedTechOEM)

© Solventum 2026. Solventum, the S logo and other trademarks are trademarks of Solventum or its affiliates.

2286044